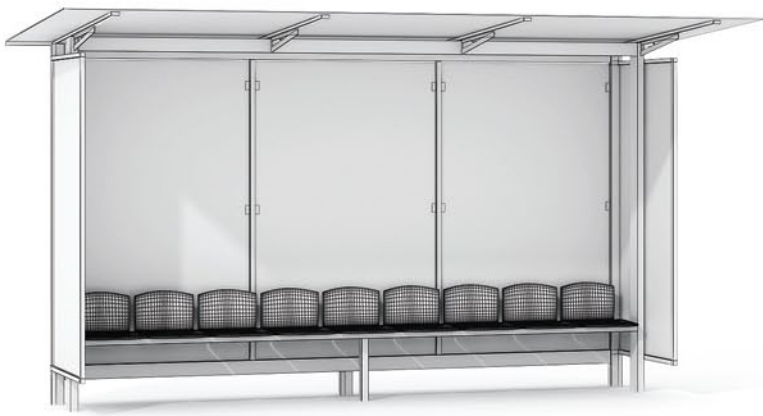


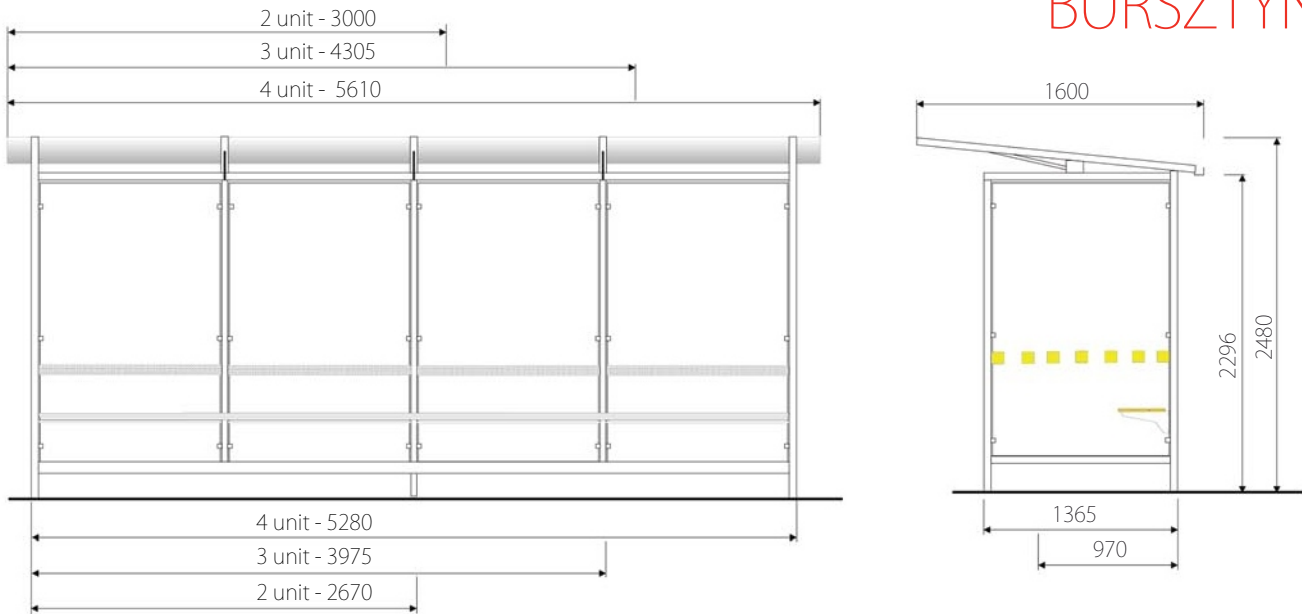


**APPEL**  
BUS SHELTER  
BURSZTYN



# ARRET

## BUS SHELTER BURSZTYN



### Construction:

Shelter made of steel rectangle or square profile section, hot dip galvanized acc. to ISO EN 1461 and electrostatical powder painted acc. to each color of RAL Standard palette

### Models and Dimensions:

Available in 3 different length depending on the amount of units:

- model 203 - 2 units
- model 205 - 3 units
- model 207 - 4 units

This model is available with three types of side walls:

- full size side wall - 1365 mm (standard)
- narrow side wall - 970 mm (optional)
- side wall with advertising display - 1365 mm (optional)

### Types of infills:

Roof - polycarbonate sheet, dimmed,

Walls - 6mm toughened glass ( glass for side wall is decorated with yellow rectangular squares in screen print technique, glass for back units is clear glass without decoration)

### Seating bench:

Shelter is offered with 3 types of seats:

- bench with wooden planks - (standard)
- bench with laminated planks (optional)
- individual injected moulded plastic seats (optional).

### Back support over the seating bench:

Back support of the shelter is available in 2 types:

- wooden planks - (standard for bench with wooden planks)
- perforated steel support powder painted in gray colour ( standard for bench with laminated planks).

### Optional equipment:

- advertising display case 1,2 x 1,8m (lightened or not) with a possibility of universal assembly within each unit of the shelter (each back or side unit),
- informational display case with lock, dimensions 1260 x 700mm or 700 x 700mm
- bus stop sign,
- name of the bus stop,
- recycled waste bin (freestanding or assembled to the shelter construction),
- bus driving schedule in format A4, A3 or A2.
- ready point concrete foundation (1pcs for each post) or reinforced concrete plate thickness 12 cm.

Arret Sp. z o.o. ul. Lotników 54, 44-122 Gliwice

tel: +48 889 889 616, fax: +48 32 23 23 709, Email: sales@arret-shelters.com, www: www.arret-shelters.com

Reg. Court Gliwice, Economy Department X KRS: 0000403108 Tax Nr.: 631-26-43-550 Reg. Nr.: 242794870

Bank account: ALIOR Bank PL46 2490 0005 0000 4520 8502 6578